



Features:

- ON Delay / Interval
- 8 Time Ranges
- Dual Supply Voltage
- LED Status Indicator: Power ON, Relay ON
- DIN Rail / Back Panel Mount
- Finger Safe Terminals

Size: DIN 22.5mm

Certifications:

Technical Specifications

Input Specifications

| | |
|----------|--|
| Accuracy | Setting: $\pm 5\%$ of F.S. Repeat: $\pm 0.5\%$ or 50 msec (F.S. = Full Scale) |
| Reset | On interruption of power; Reset time < 100 msec |

Output Specifications

| | |
|----------------|----------------------------------|
| Output Contact | SPDT (1 C/O) |
| Contact Rating | 5A @ 230V AC / 24V DC, resistive |

Functional Specifications

| | |
|-------------|---|
| Modes | ON delay / Interval |
| Time Ranges | 0 - 3 sec / min 0 - 10 sec / min 0 - 30 sec / min 0 - 60 sec / min |

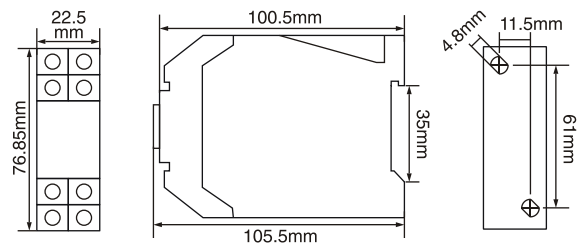
Supply Voltage

| | |
|-------------------|---|
| Supply Voltage | 230V AC & 24V AC/DC (50 / 60Hz) 110V AC & 24V AC/DC (50 / 60Hz) -15% to 10% tolerance |
| Power Consumption | 6VA max |

Environmental Specifications

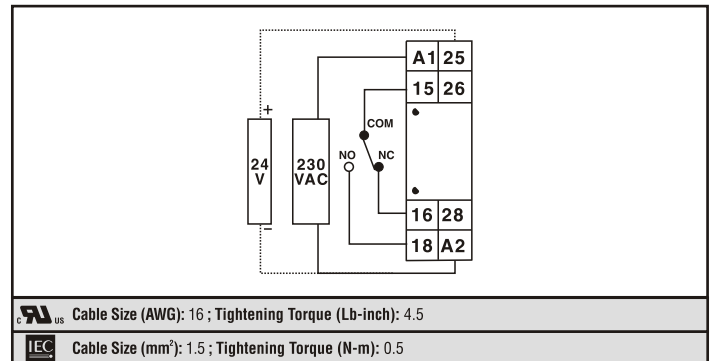
| | |
|---------------------------|--|
| Temperature | Operating: 0 to 50°C (32 to 122°F) Storage: -20 to 75°C (-4 to 167°F) |
| Humidity (non-condensing) | 95% RH |
| Weight | 115 gms (0.220 lbs) |
| Protection Level | IP50 for faceplate IP40 for housing IP20 for terminals |

Dimensions



Symmetrical 35mm Din Rail (EN50022) Mounting

Terminal Connections



Ordering Information

This product is available in certified (UL and CE) as well as in non-certified (without UL/CE marking) types. Please order as per the requirement.

| Part No. | Supply Voltage | | Certification |
|----------------|----------------|---------|---------------|
| | 230V AC | 110V AC | |
| 800SQ-A-230 | ■ | | |
| 800SQ-A-110 | | ■ | |
| 800SQ-A-230-CU | ■ | | ■ |
| 800SQ-A-110-CU | | ■ | ■ |

Timing Diagram

