



Features:

- Forward - Pause - Reverse Timer
- LED Status Indicator : Relay1 ON, Relay 2 ON
- Din Rail / Back Panel Mount
- Finger Safe Terminals

Size: DIN 22.5mm

Technical Specifications

Input Specifications

Accuracy	Setting : $\pm 5\%$ of full scale. Repeat : $\pm 0.5\%$ or 50 ms whichever is greater
Reset	On interruption of power

Output Specifications

Output Contact	1 C/O each for forward & reverse
Contact Rating	5A @ 230V AC / 24V DC, resistive

Functional Specifications

Modes	Forward-pause-reverse
Time Ranges	1 / 2 / 4 / 8 min (ON time) 10 / 20 / 40 / 80 sec (pause time)
LED Indication	Relay1 ON, Relay2 ON
Reset time	Less than 100 ms

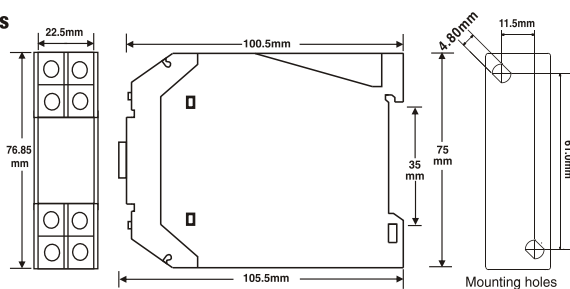
Supply Voltage

Supply Voltage	20 to 240 VAC (AC: 50/60 Hz) 12 to 240 VDC
----------------	---

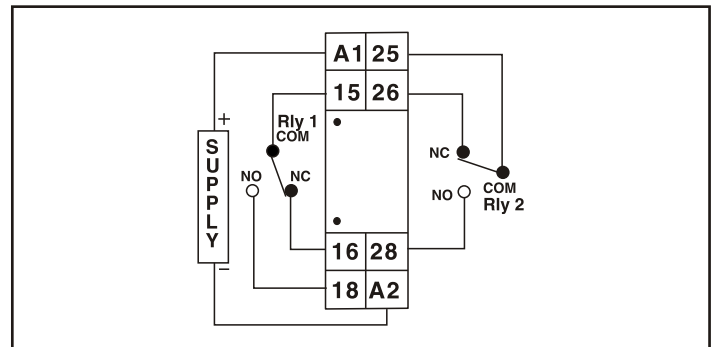
Environmental Specifications

Temperature	Operating: 0 to 50°C Storage: -20 to 75°C.
Humidity (non-condensing)	95% RH
Weight	100 gms
Protection Level	IP50 for faceplate IP40 for housing IP20 for terminals

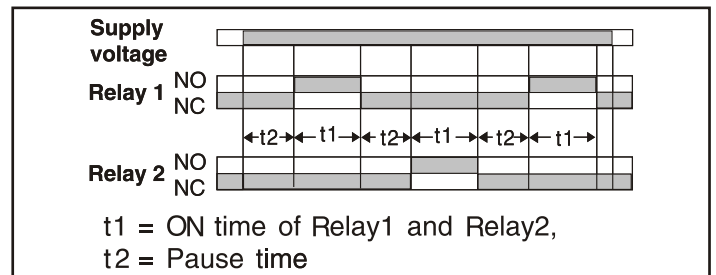
Dimensions



Terminal Connections



Timing Diagram



Forward - Pause - Reverse timer Special timer for repetitive forward and reverse motion of motor with intermediate pause timing.

Ordering Information

Part No.	Supply Voltage
800XMR	20 to 240 VAC 12 to 240 VDC