



**Features:**

- 4 Digit, 7 segment LED Display
- True RMS Measurement
- For 1 Phase 2 Wire Electrical Network
- CT Primary / Shunt Programmable upto 4000A
- IP Protection (Front) : IP65

**Size:** 48mm x 96mm (1/8 DIN)

**Certifications:** CE LISTED

**Technical Specifications**

**Display**

Display	7 segment LED Display
Digit	4
Digit Height	0.56" (14.2mm)
Display Range	0 - 4960A

**Input Specifications**

Electrical Connection	1 Ø-2 wire
Input Current Range	0 - 5A AC
Continuous Max. Input Current	6.2A AC
Overrange Indication	"Or" for input > 6.2A AC
Frequency Range	45 - 65Hz
Resolution	0.001, 0.01, 0.1, 1A (Depending upon CT primary / shunt setting)
Accuracy	±0.5% of F.S (CT primary / shunt setting)
Input Burden	0.5 VA @ 5A AC
Sampling Rate	3 samples / second
Dielectric withstand Voltage	2kV AC between auxiliary supply & measuring input
Rated Impulse withstand Voltage	3.5kV (1.2/50µs)

**Supply Specifications**

Auxiliary Supply	AC: 240V AC ±20%, (50 / 60Hz) 110V AC ±20%, (50 / 60Hz)
Supply Frequency	50 / 60Hz
Power Consumption	5VA max @ 240V AC

**Resettable Parameters**

C.T Primary / Shunt Setting	5,10, 20, 30, 40, 50, 60, 75, 80, 100, 150, 200, 250, 300,400, 500, 600, 800, 1000,1200, 1500, 1600, 2000, 2500, 3000, 4000
C.T Secondary Setting	5A Fixed

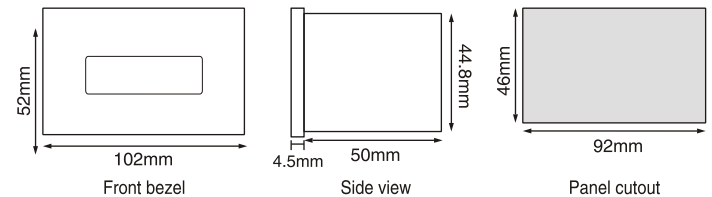
**Environmental Specifications**

Temperature	Operating: -10 to +55°C (14 to 131°F) Storage: -20 to +75°C (-4 to 167°F)
Humidity (non-condensing)	Upto 85% RH

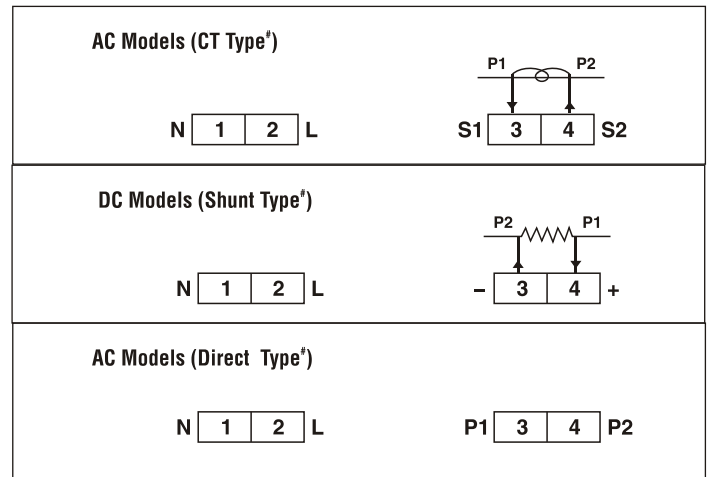
**Mechanical Specifications**

Mounting	Panel mount
Weight	170 gms (0.374 lbs)
Protection Level	IP65 for faceplate

**Dimensions**



**Terminal Connections**



Cable Size (AWG): 20 to 14 ; Tightening Torque (Lb-inch): 6.018 to 6.992  
 Cable Size (mm<sup>2</sup>): 0.5 to 2.5 ; Tightening Torque (N-m): 0.68 to 0.79

**\*NOTE**

- 1) **CT Type:** There is an internal CT with CT setting. Above 5A(0-5A model) external CT is required.
- 2) **Shunt Type:** External Shunt (50mV / 100mV DC) is required for measurement.
- 3) **Direct Type:** Input is directly connected to the input of the unit.

## Ordering Information

Part No.	CT Type	Shunt Type	Direct Type	Supply Voltage		Certification	
				110V AC	240V AC	CE	UL LISTED
MA12	■				■		
MA12-CU	■				■	■	■
MA12-110V	■			■			
MA12-110V-CU	■			■		■	■
MA12-20A-AC			■		■		
MA12-20A-AC-110V			■	■			
MA12-AC-2/20mA			■		■		
MA12-AC-2/20mA-CU			■		■	■	■
MA12-AC-2/20mA-110V			■	■			
MA12-AC-2/20mA-110V-CU			■	■		■	■
MA12-AC-200/2000mA			■		■		
MA12-AC-200/2000mA-CU			■		■	■	■
MA12-AC-200/2000mA-110V			■	■			
MA12-AC-200/2000mA-110V-CU			■	■		■	■
MA12-50mV-DC		■			■		
MA12-50mV-DC-CU		■			■	■	■
MA12-50mV-DC-110V		■		■			
MA12-50mV-DC-110V-CU		■		■		■	■
MA12-75mV-DC		■			■		
MA12-75mV-DC-CU		■			■	■	■
MA12-75mV-DC-110V		■		■			
MA12-75mV-DC-110V-CU		■		■		■	■
MA12-100mV-DC		■			■		
MA12-100mV-DC-CU		■			■	■	■
MA12-100mV-DC-110V		■		■			
MA12-100mV-DC-110V-CU		■		■		■	■
MA12-DC-2mA			■		■		
MA12-DC-2mA-CU			■		■	■	■
MA12-DC-2mA-110V			■	■			
MA12-DC-2mA-110V-CU			■	■		■	■
MA12-DC-20mA			■		■		
MA12-DC-20mA-CU			■		■	■	■
MA12-DC-20mA-110V			■	■			
MA12-DC-20mA-110V-CU			■	■		■	■
MA12-DC-200mA			■		■		
MA12-DC-200mA-CU			■		■	■	■
MA12-DC-200mA-110V			■	■			
MA12-DC-200mA-110V-CU			■	■		■	■
MA12-DC-2A			■		■		
MA12-DC-2A-CU			■		■	■	■
MA12-DC-2A-110V			■	■			
MA12-DC-2A-110V-CU			■	■		■	■

**Note:**

- 1) **CT Type:** There is an internal CT with CT setting (5-4000A). For current input >5A, external CT is required.
- 2) **Shunt Type:** There is an internal Shunt with Shunt setting (5-4000A). External Shunt (50mV/75mV/100mV) is required.
- 3) **Direct Type:** Input is directly connected to the unit.