



Features:

- LED Status Indicator: Relay Status, Seconds, Minutes, Hours
- Dual Display, 3 Digit, 7 segment LED
- 2:1 C/O (SPDT)
- Preset

Size: 1/16 DIN 48mm X 48mm

Certifications:

Technical Specifications

Input Specifications

| | |
|----------|--|
| Accuracy | Setting: $\pm 0.05\%$ of set time or 50 msec Repeat: $\pm 0.05\%$ |
| Reset | Front, Remote, Power interruption (programmable) |

Output Specifications

| | |
|----------------|--------------|
| Output Contact | 2 SPDT |
| Contact Rating | 5A @ 250V AC |

Functional Specifications

| | |
|--------------------|--|
| Modes | ON delay / Interval delay Cyclic ON first / Cyclic OFF first |
| Time Ranges | 0 - 9.99 sec 0 - 99.9 sec 0 - 999 sec 0 - 9:59 min:sec, 0 - 99.9 min 0 - 999 min 0 - 9:59 hr:min, 0 - 99.9 hr 0 - 999 hr |
| Counting Direction | Down |
| Memory | Yes (selectable) |
| Set Time Lock | Yes |
| Configuration Lock | Yes |

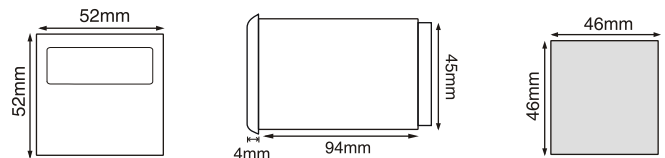
Supply Voltage

| | |
|-------------------|--|
| Supply Voltage | 85 to 270V AC (50 / 60Hz) 24V AC/DC (Optional) -15% to 10% tolerance |
| Power Consumption | 4VA max |

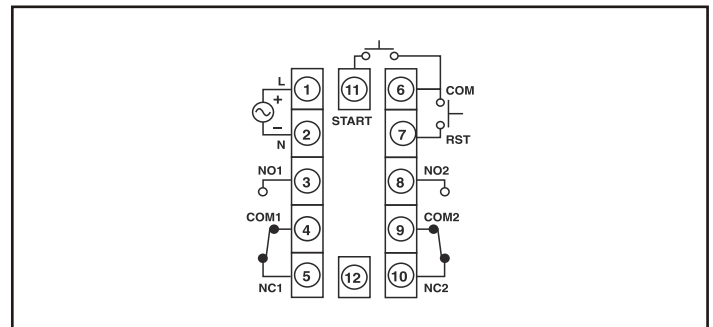
Environmental Specifications

| | |
|---------------------------|--|
| Temperature | Operating: 0 to 50°C (32 to 122°F) Storage: -20 to 75°C (-4 to 167°F) |
| Humidity (non-condensing) | 95% RH |
| Weight | 140gms |
| Protection Level | IP65 for faceplate |

Dimensions



Terminal Connections

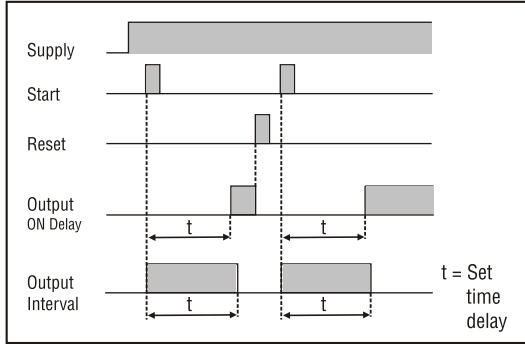


Ordering Information

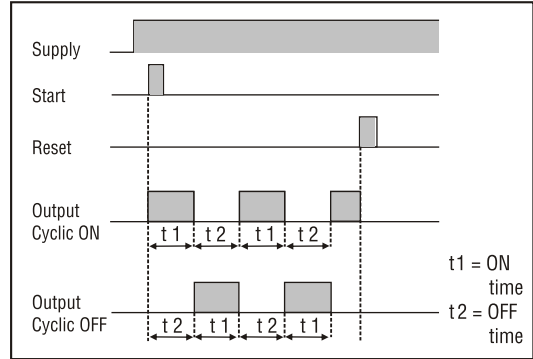
| Part No. | Supply Voltage | Certification |
|----------|----------------|---------------|
| XT546 | 85 to 270V AC | |
| XT546-24 | 24V AC/DC | |

TIMING DIAGRAMS

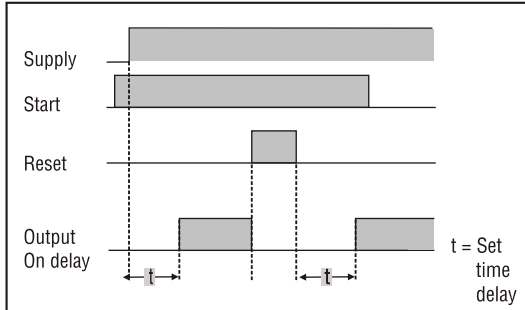
1. On delay, Interval modes:



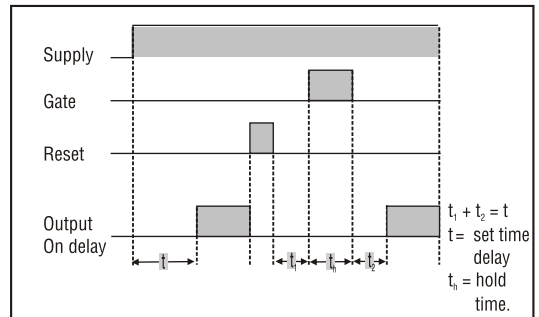
2. Cyclic ON first, Cyclic OFF first modes:



Typical application of Continuous start and reset in On delay mode:



Typical application of Gate start



All sizes mentioned are in mm unless specified otherwise. Specifications are subject to change without prior notice.